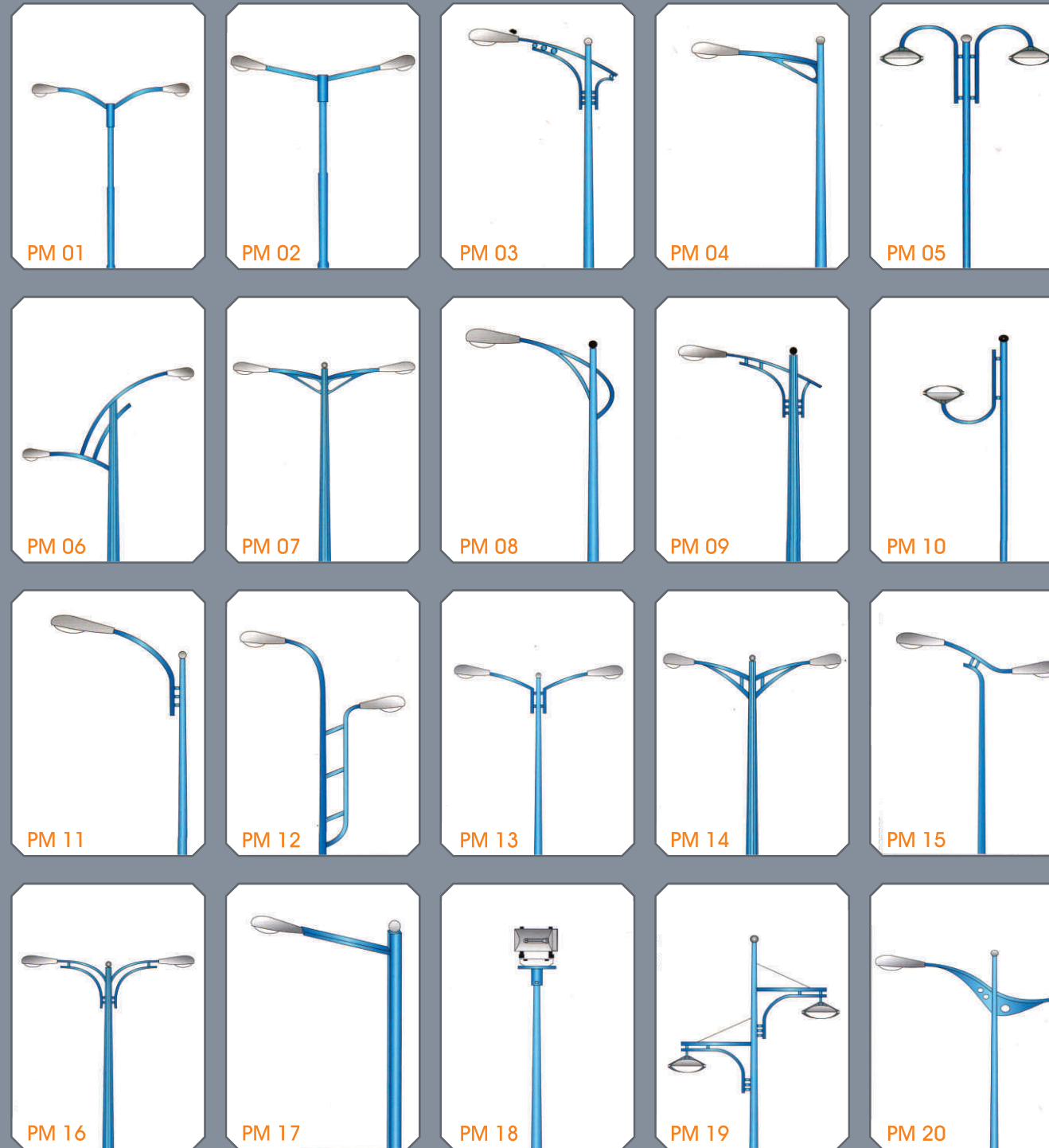


DESIGNATION	OVER ALL LENGTH	PALNT-ING DEPTH	LOAD APPLIED FROM TOP DISTANCE	HEIGHT ABOVE GROUND H	LENGTH OF SECTIONS			OUTSIDE DIAMETER & THICKNESS OF SECTIONS			APPROX WEIGHT OF POLE
					BOTTOM H ₁	MIDDLE H ₂	TOP H ₃	BOTTOM	MIDDLE	TOP	
(1)	(2) (mtr.)	(3) (mtr.)	(4) (mtr.)	(5) (mtr.)	(6) (mtr.)	(7) (mtr.)	(8) (mtr.)	(9) (mm)	(10) (mm)	(11) (mm)	(12) (kg)
410PM - 16	8.50	1.50	0.30	7.00	5.00	1.75	1.75	114.3x3.65	88.9x3.25	76.1x3.25	75
410PM - 17	8.50	1.50	0.30	7.00	5.00	1.75	1.75	114.3x4.50	88.9x4.05	76.1x3.25	89
410PM - 18	8.50	1.50	0.30	7.00	5.00	1.75	1.75	114.3x5.40	88.9x4.85	76.1x3.25	104
410PM - 19	8.50	1.50	0.30	7.00	5.00	1.75	1.75	139.7x4.50	114.3x3.65	88.9x3.25	109
410PM - 20	8.50	1.50	0.30	7.00	5.00	1.75	1.75	139.7x4.85	114.3x3.65	88.9x3.25	115
410PM - 21	8.50	1.50	0.30	7.00	5.00	1.75	1.75	139.7x5.40	114.3x4.50	88.9x3.25	129
410PM - 22	8.50	1.50	0.30	7.00	5.00	1.75	1.75	165.1x4.50	139.7x4.50	114.3x3.65	141
410PM - 23	8.50	1.50	0.30	7.00	5.00	1.75	1.75	165.1x4.85	139.7x4.50	114.3x3.65	148
410PM - 24	8.50	1.50	0.30	7.00	5.00	1.75	1.75	165.1x5.40	139.7x4.50	114.3x3.65	158
410PM - 25	9.00	1.50	0.30	7.50	5.00	2.00	2.00	114.3x3.65	88.9x3.25	76.1x3.25	78
410PM - 26	9.00	1.50	0.30	7.50	5.00	2.00	2.00	114.3x4.50	88.9x4.05	76.1x3.25	92
410PM - 27	9.00	1.50	0.30	7.50	5.00	2.00	2.00	114.3x5.40	88.9x4.85	76.1x3.25	108
410PM - 28	9.00	1.50	0.30	7.50	5.00	2.00	2.00	139.7x4.50	114.3x3.65	88.9x3.25	113
410PM - 29	9.00	1.50	0.30	7.50	5.00	2.00	2.00	139.7x4.85	114.3x4.50	88.9x3.25	125
410PM - 30	9.00	1.50	0.30	7.50	5.00	2.00	2.00	139.7x5.40	114.3x4.50	88.9x3.25	133
410PM - 31	9.00	1.50	0.30	7.50	5.00	2.00	2.00	165.1x4.50	139.7x4.50	114.3x3.65	147
410PM - 32	9.00	1.50	0.30	7.50	5.00	2.00	2.00	165.1x4.85	139.7x4.50	114.3x3.65	154
410PM - 33	9.00	1.50	0.30	7.50	5.00	2.00	2.00	165.1x5.40	139.7x4.50	114.3x3.65	164
410PM - 34	9.50	1.80	0.60	7.70	5.00	2.25	2.25	139.7x4.50	114.3x4.50	88.9x3.25	122
410PM - 35	9.50	1.80	0.60	7.70	5.00	2.25	2.25	139.7x4.85	114.3x4.50	88.9x3.25	129
410PM - 36	9.50	1.80	0.60	7.70	5.00	2.25	2.25	139.7x5.40	114.3x4.50	88.9x3.25	137
410PM - 37	9.50	1.80	0.60	7.70	5.00	2.25	2.25	165.1x4.50	139.7x4.50	114.3x3.65	153
410PM - 38	9.50	1.80	0.60	7.70	5.00	2.25	2.25	165.1x4.85	139.7x4.50	114.3x3.65	160
410PM - 39	9.50	1.80	0.60	7.70	5.00	2.25	2.25	165.1x5.40	139.7x4.50	114.3x3.65	170
140PM - 40	10.00	1.80	0.60	8.20	5.20	2.40	2.40	139.7x4.50	114.3x4.50	88.9x3.25	128
140PM - 41	10.00	1.80	0.60	8.20	5.20	2.40	2.40	139.7x4.85	114.3x4.50	88.9x3.25	135
410PM - 42	10.00	1.80	0.60	8.20	5.20	2.40	2.40	139.7x5.40	114.3x4.50	88.9x3.25	144
410PM - 43	10.00	1.80	0.60	8.20	5.20	2.40	2.40	165.1x4.50	139.7x4.50	114.3x3.65	160
410PM - 44	10.00	1.80	0.60	8.20	5.20	2.40	2.40	165.1x4.85	139.7x4.50	114.3x3.65	168
410PM - 45	10.00	1.80	0.60	8.20	5.20	2.40	2.40	165.1x5.40	139.7x4.50	114.3x3.65	178
410PM - 46	10.00	1.80	0.60	8.20	5.20	2.40	2.40	193.7x4.85	165.1x4.50	139.7x4.50	208
410PM - 47	10.00	1.80	0.60	8.20	5.20	2.40	2.40	193.7x5.40	165.1x4.50	139.7x4.50	221
410PM - 48	10.00	1.80	0.60	8.20	5.20	2.40	2.40	193.7x5.90	165.1x4.50	139.7x4.50	233
410PM - 49	11.00	1.80	0.60	9.20	5.60	2.70	2.70	139.7x4.50	114.3x4.50	88.9x3.25	140
410PM - 50	11.00	1.80	0.60	9.20	5.60	2.70	2.70	139.7x4.85	114.3x4.50	88.9x3.25	140
410PM - 51	11.00	1.80	0.60	9.20	5.60	2.70	2.70	139.7x5.40	114.3x5.40	88.9x3.25	164
410PM - 52	11.00	1.80	0.60	9.20	5.60	2.70	2.70	165.1x4.50	139.7x4.50	114.3x3.65	175
410PM - 53	11.00	1.80	0.60	9.20	5.60	2.70	2.70	165.1x4.85	139.7x4.50	114.3x3.65	183
410PM - 54	11.00	1.80	0.60	9.20	5.60	2.70	2.70	165.1x5.40	139.7x4.50	114.3x3.65	194
410PM - 55	11.00	1.80	0.60	9.20	5.60	2.70	2.70	193.7x4.85	165.1x4.50	139.7x4.50	227
410PM - 56	11.00	1.80	0.60	9.20	5.60	2.70	2.70	193.7x5.40	165.1x4.50	139.7x4.50	241
410PM - 57	11.00	1.80	0.60	9.20	5.60	2.70	2.70	193.7x5.90	165.1x4.85	139.7x4.50	256
410PM - 58	12.00	2.00	0.60	10.00	5.80	3.10	3.10	165.1x4.50	139.7x4.50	114.3x3.65	186
410PM - 59	12.00	2.00	0.60	10.00	5.80	3.10	3.10	165.1x4.85	139.7x4.50	114.3x3.65	197
410PM - 60	12.00	2.00	0.60	10.00	5.80	3.10	3.10	165.1x5.40	139.7x4.50	114.3x3.65	208
410PM - 61	12.00	2.00	0.60	10.00	5.80	3.10	3.10	193.7x4.85	165.1x4.50	139.7x4.50	245
410PM - 62	12.00	2.00	0.60	10.00	5.80	3.10	3.10	193.7x5.40	165.1x4.50	139.7x4.50	259
410PM - 63	12.00	2.00	0.60	10.00	5.80	3.10	3.10	193.7x5.90	165.1x4.85	139.7x4.50	277
410PM - 64	12.00	2.00	0.60	10.00	5.80	3.10	3.10	219.1x4.85	193.7x4.85	165.1x4.50	292
410PM - 65	12.00	2.00	0.60	10.00	5.80	3.10	3.10	219.1x5.60	193.7x4.85	165.1x4.50	313
410PM - 66	12.00	2.00	0.60	10.00	5.80	3.10	3.10	219.1x5.90	193.7x4.85	165.1x4.50	322
410PM - 67	13.00	2.00	0.60	11.00	5.80	3.60	3.60	193.7x4.85	165.1x4.50	139.7x4.50	261
410PM - 68	13.00	2.00	0.60	11.00	5.80	3.60	3.60	193.7x5.40	165.1x4.85	139.7x4.50	281
410PM - 69	13.00	2.00	0.60	11.00	5.80	3.60	3.60	193.7x5.90	165.1x5.40	139.7x4.50	302
410PM - 70	13.00	2.00	0.60	11.00	5.80	3.60	3.60	219.1x4.85	193.7x4.85	165.1x4.50	312
410PM - 71	13.00	2.00	0.60	11.00	5.80	3.60	3.60	219.1x5.60	193.7x4.85	165.1x4.50	333
410PM - 72	13.00	2.00	0.60	11.00	5.80	3.60	3.60	219.1x5.90	193.1x4.85	165.1x4.50	343
410PM - 73	14.50	2.00	0.60	12.50	6.50	4.00	4.00	193.7x5.40	165.1x4.85	139.7x4.50	312
410PM - 74	14.50	2.00	0.60	12.50	6.50	4.00	4.00	193.7x5.90	165.1x5.40	139.7x4.50	336
410PM - 75	14.50	2.00	0.60	12.50	6.50	4.00	4.00	219.1x5.60	193.7x4.85	165.1x4.50	370
410PM - 76	14.50	2.00	0.60	12.50	6.50	4.00	4.00	219.1x5.90	193.7x4.85	165.1x4.50	380
410PM - 77	16.00	2.30	0.60	13.70	7.00	4.50	4.50	193.7x5.40	165.1x4.85	139.7x4.50	341
410PM - 78	16.00	2.30	0.60	13.70	7.00	4.50	4.50	193.7x5.90	165.1x5.40	139.7x4.50	367
410PM - 79	16.00	2.30	0.60	13.70	7.00	4.50	4.50	219.1x5.60	193.7x4.85	165.1x4.50	405
410PM - 80	16.00	2.30	0.60	13.70	7.00	4.50	4.50	219.4x5.90	193.7x4.85	165.1x4.50	416



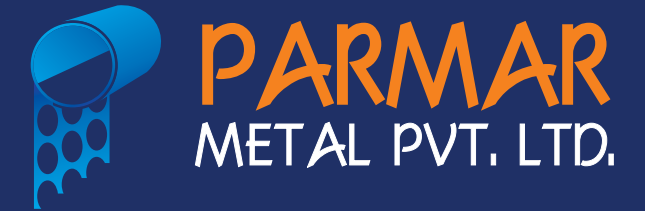
Parmar Metal Pvt. Ltd.

Office: Survey.no.207, Veraval (Shapar),
Rajkot:-360024,India.

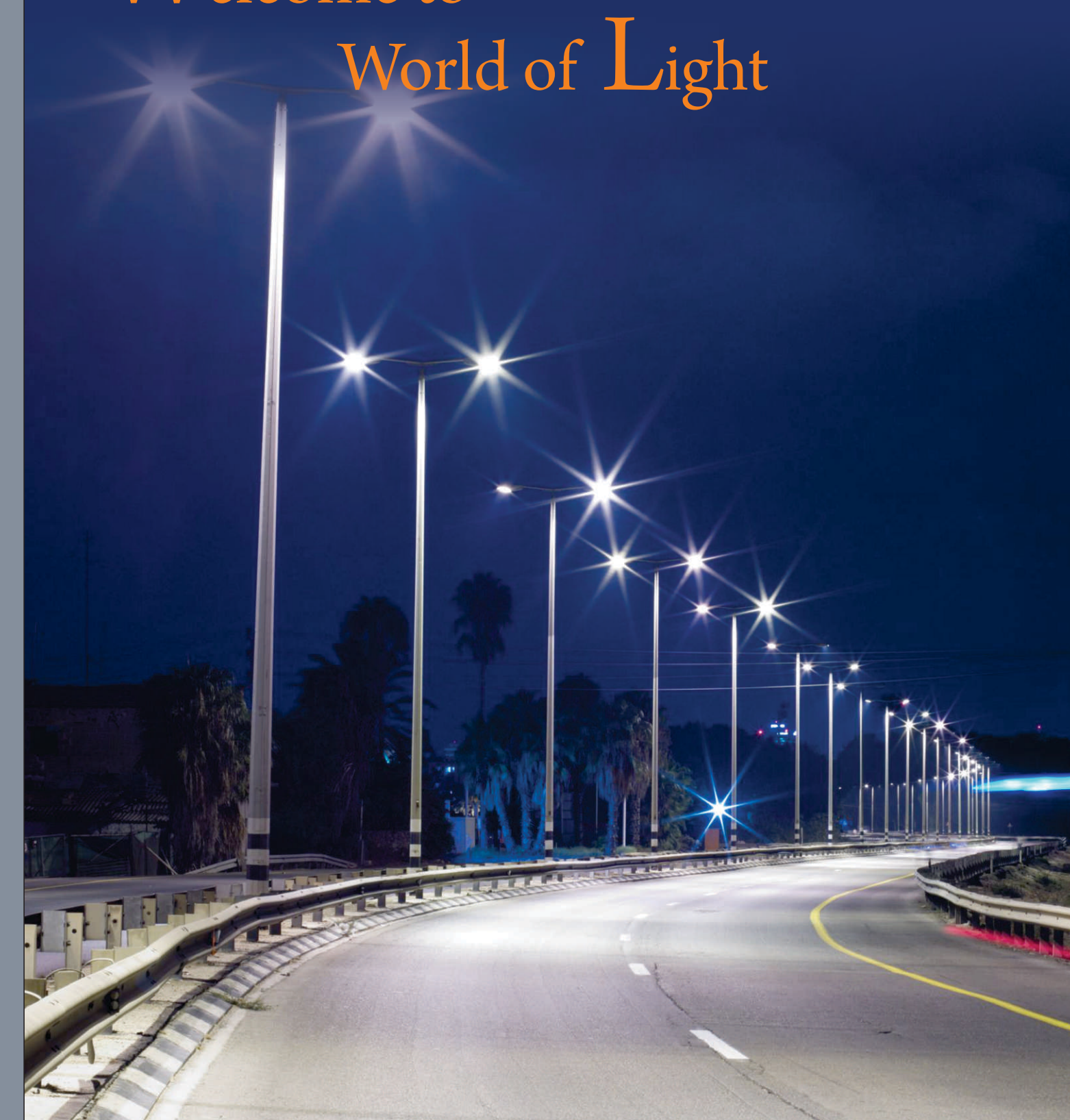
Ph. : 02827 252888,252889, Mo.7043000300

E-Mail: sales@parmarmetal.com, peb@parmarmetal.com

Web: www.parmarmetal.com



Welcome to World of Light

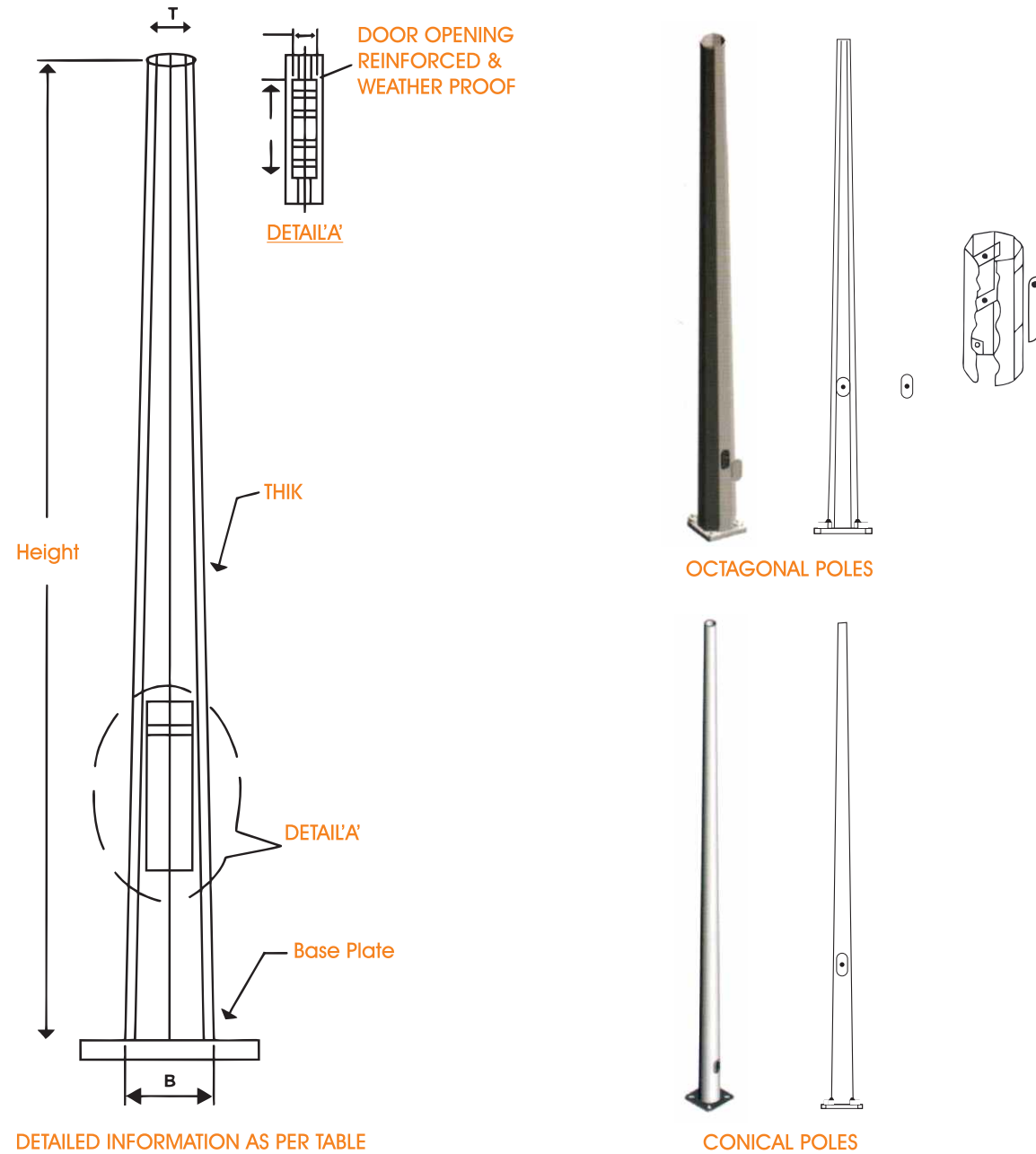


Octagonal Poles

Parmar Metals Pvt. Ltd. Works has introduced hot dip galvanized Octagonal Poles, which can use in different sector for power transmission & distridution, Road & Building and various other applications. In general, these poles are hot dip galvanized after fabrication, internally and externally in accordance with IS-2629/BSEN ISO 1461 or equivalent.

Material Specification :

The Steel generally used to manufacture steel poles is as per BSEN 10025.
Yield Strength Min 355N/mm²
Tensile Stength 490-630 N/mm²



DETAILED INFORMATION AS PER TABLE

OCTAGONAL POLES STANDARD SPECIFICATION :

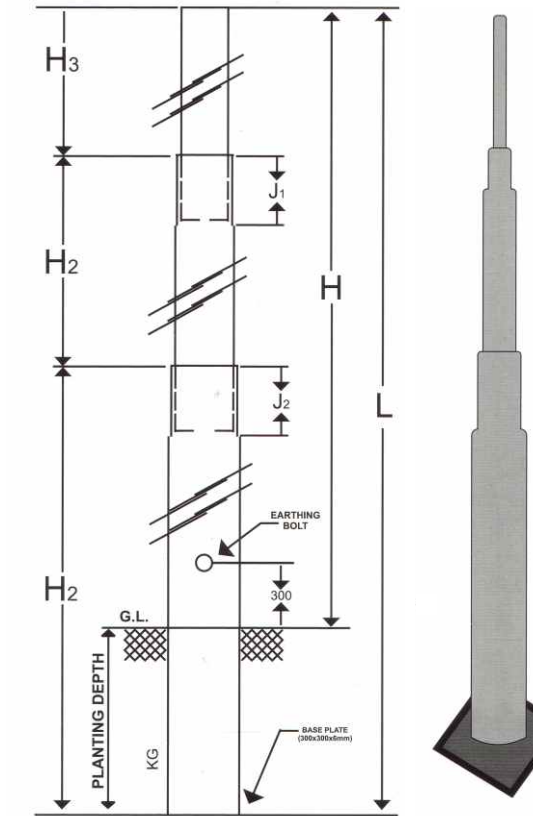
POLE TYPE	HEIGHT (mtr.)	TOP DIA (A/F) mm	BOTTOM DIA (A/F) mm	SHEET THICKNESS	BASE PLATE (L x W x T)	PITCH CIRCLE DIA. mm	Foundation Bolt (No. x Dia x mm)
PM - 3030	3	60	130	3	200 x 200 x 12	200	4 x 16 x 450
PM - 3031	3	70	130	3	200 x 200 x 12	200	4 x 16 x 450
PM - 4030	4	60	130	3	200 x 200 x 12	200	4 x 16 x 450
PM - 4031	4	70	130	3	200 x 200 x 12	200	4 x 16 x 450
PM - 5030	5	60	130	3	200 x 200 x 12	200	4 x 16 x 450
PM - 6030	6	60	130	3	220 x 220 x 12	220	4 x 20 x 600
PM - 6031	6	70	135	3	220 x 220 x 12	220	4 x 20 x 600
PM - 7030	7	60	130	3	220 x 220 x 12	220	4 x 20 x 600
PM - 7030	7	70	135	3	220 x 220 x 12	220	4 x 20 x 600
PM - 8030	8	70	135	3	225 x 225 x 16	220	4 x 20 x 600
PM - 8031	8	70	155	3	225 x 225 x 16	220	4 x 20 x 700
PM - 9030	9	70	155	3	260 x 260 x 16	220	4 x 24 x 750
PM - 9031	9	70	175	3	260 x 260 x 16	250	4 x 24 x 750
PM - 1030	10	70	155	3	260 x 260 x 16	250	4 x 24 x 750
PM - 1031	10	70	175	3	275 x 275 x 16	270	4 x 24 x 750
PM - 1130	11	90	210	3	300 x 300 x 20	300	4 x 24 x 750
PM - 1230	12	90	240	3	320 x 320 x 20	310	4 x 24 x 850

CONICAL POLES STANDARD SPECIFICATION :

POLE TYPE	HEIGHT (mtr.)	TOP DIA (A/F) mm	BOTTOM DIA (A/F) mm	SHEET THICKNESS	BASE PLATE (L x W x T)	PITCH CIRCLE DIA. mm	Foundation Bolt (No. x Dia x mm)
PM - 3030	3	65	98	3	200 x 200 x 12	200	4 x 16 x 450
PM - 4030	4	65	108	3	200 x 200 x 12	200	4 x 16 x 450
PM - 5030	5	65	119	3	200 x 200 x 12	200	4 x 16 x 450
PM - 6030	6	65	130	3	220 x 220 x 12	220	4 x 20 x 600
PM - 7030	7	65	130	3	220 x 220 x 12	220	4 x 20 x 600

Tubular Swaged Poles

Swaged poles are manufactured from E.R.W./Welded tubes of suitable lengths swaged & joined together. No circumferential joint shall be permitted in the individual tube of poles. the longitudinal welds shall be staggered at each swaged joint. Swaging is done by hydraulic power pack unit. a circumferential weld shall be deposit at the upper end of the joint at aslope of approximately 45 poles are manufactured by us normally conform to as per IS 2713 (P-III) - 1980 and special sizes poles can also be manufactured by as per customer drawings or requirements.



Earthing Arrangement :

If Earthing arrangement is required, a bolt of 10mm dia is welded on each pole at a height of 300mm above the planting depth or can be provided as per Customer's requirement.



Note :- Bracket are available for standard swage poles in various designs shown in brochure and also as per customer requirement.

AS PER IS : 2713 (PART-II) 1980 :

DESIGNATION	OVER ALL LENGTH	PALNT-ING DEPTH	LOAD APPLIED FROM TOP DISTANCE	HEIGHT ABOVE GROUND H	LENGTH OF SECTIONS			OUTSIDE DIAMETER & THICKNESS OF SECTIONS			APPROX WEIGHT OF POLE
					BOTTOM H ₁	MIDDLE H ₂	TOP H ₃	BOTTOM	MIDDLE	TOP	
(1)	(2) (mtr.)	(3) (mtr.)	(4) (mtr.)	(5) (mtr.)	(6) (mtr.)	(7) (mtr.)	(8) (mtr.)	(9) (mm)	(10) (mm)	(11) (mm)	(12) (kg)
410PM - 1	7.00	1.25	0.30	5.75	4.00	1.50	1.50	114.3x3.65	88.9x3.25	76.1x3.25	62
410PM - 2	7.00	1.25	0.30	5.75	4.00	1.50	1.50	114.3x4.50	88.9x4.05	76.1x3.25	73
410PM - 3	7.00	1.25	0.30	5.75	4.00	1.50	1.50	114.3x5.40	88.9x4.85	76.1x3.25	85
410PM - 4	7.50	1.25	0.30	6.25	4.50	1.50	1.50	114.3x3.65	88.9x3.25	76.1x3.25	67
410PM - 5	7.50	1.25	0.30	6.25	4.50	1.50	1.50	114.3x4.50	88.9x4.05	76.1x3.25	79
410PM - 6	7.50	1.25	0.30	6.25	4.50	1.50	1.50	114.3x5.40	88.9x4.85	76.1x3.25	93
410PM - 7	7.50	1.25	0.30	6.25	4.50	1.50	1.50	139.7x4.50	114.3x3.65	88.9x3.25	97
410PM - 8	7.50	1.25	0.30	6.25	4.50	1.50	1.50	139.7x4.85	114.3x3.65	88.9x3.25	103
410PM - 9	7.50	1.25	0.30	6.25	4.50	1.50	1.50	139.7x5.40	114.3x3.65	88.9x3.25	110
410PM - 10	8.00	1.50	0.30	6.50	4.50	1.75	1.75	114.3x3.65	88.9x3.25	76.1x3.25	70
410PM - 11	8.00	1.50	0.30	6.50	4.50	1.75	1.75	114.3x4.50	88.9x4.05	76.1x3.25	83
410PM - 12	8.00	1.50	0.30	6.50	4.50	1.75	1.75	114.3x5.40	88.9x4.85	76.1x3.25	97
410Pm - 13	8.00	1.50	0.30	6.50	4.50	1.75	1.75	139.7x4.50	114.3x4.65	88.9x3.25	101
410PM -14	8.00	1.50	0.30	6.50	4.50	1.75	1.75	139.7x4.85	114.3x4.50	88.9x3.25	111
410PM -15	8.00	1.50	0.30	6.50	4.50	1.75	1.75	139.7x5.40	114.3x4.50	88.9x3.25	119